

PRODUCT

CLB-1000/17

SPECS

Three Persons Capacity

WLL 1,000 lbs.

17' 3 1/2" Length

Tare Weight: 4,040 lbs.

ASME B30.23 Compliant

CONTACT

Billy Pugh Company

5878 Agnes Street

Corpus Christi, TX 78403

+1-361-884-9351

www.billypugh.com

BPC Cantilever Work Basket

The BPC Cantilever Work Basket (CLB-1000/17) is designed with a fixed counterweight system to reduce risk of human error when dealing with traditional variable water counterweights. At 17 feet in length with 11 feet cantilever reach the CLB-1000/17 can reach many locations a traditional work basket cannot. It maintains a capacity for 1,000 lbs. Working Load Limit with three (3) persons working on the outermost cantilevered section of the basket.

Product Highlights

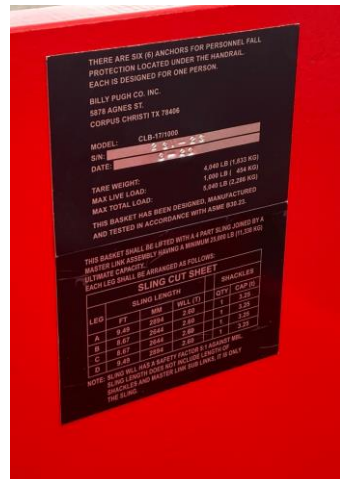
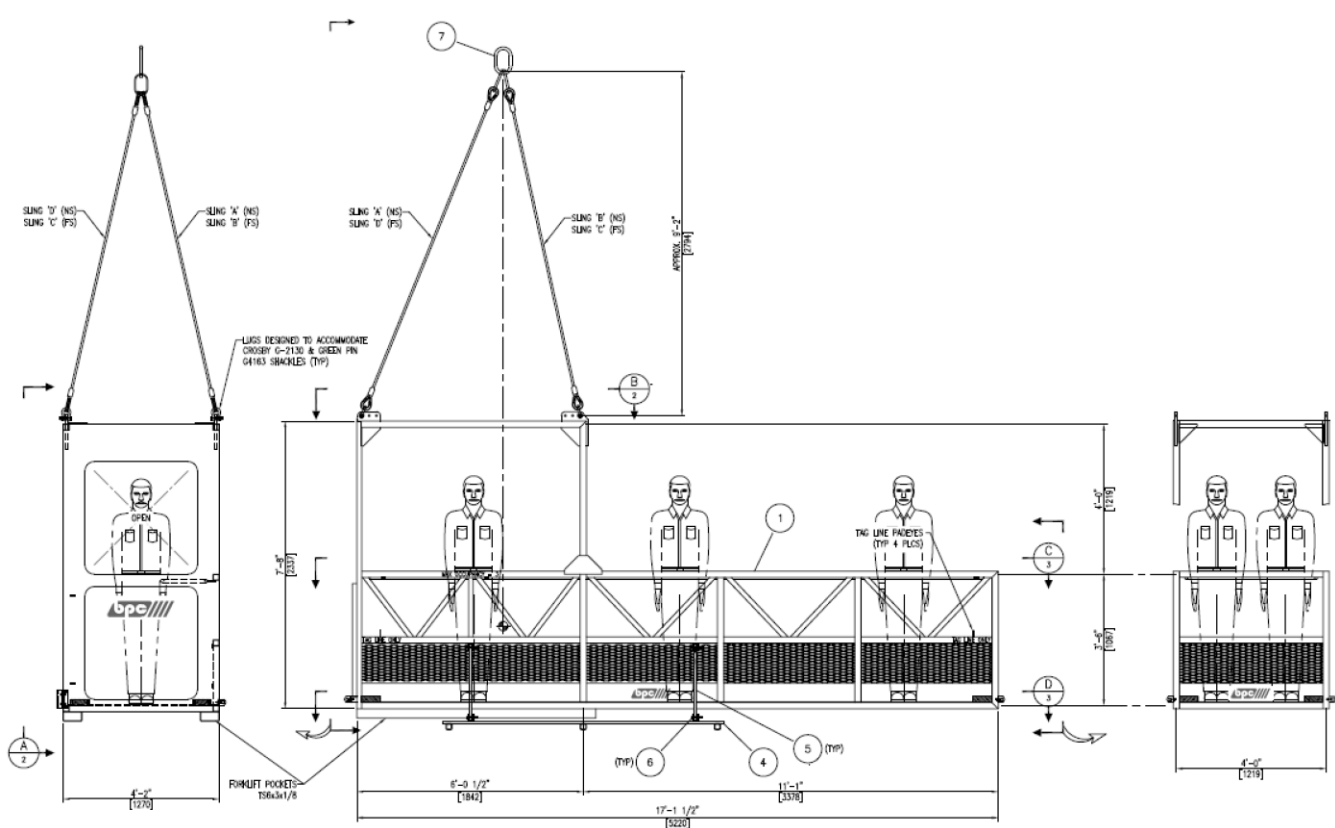
- Designed to ASME B30.23-2022 "Personnel Lifting Systems"
- Working Load Limit (WLL) of 1,000 lbs.
- Fixed counterweight system with inclination testing prior to delivery
- 11 feet of cantilever reach
- Designed for three persons to work in the outermost cantilevered section
- Designed utilizing a Computerized Structural FEA
- Inward opening spring latching door
- 2" steel square tubing design for maximum strength
- Dimensions:
 - Length, structural: 17' 3-1/2" (5.271m)
 - Length, outfitting: 17' 7-3/4" (5.378m)
 - Width, structural: 4' 2" (1.270m)
 - Width, outfitting: 4' 6-1/4" (1.378m)
 - Height: 8' 2" (2.489m)
 - Weight 4,040 lb (1,832 kg)

Cantilever Work
Basket



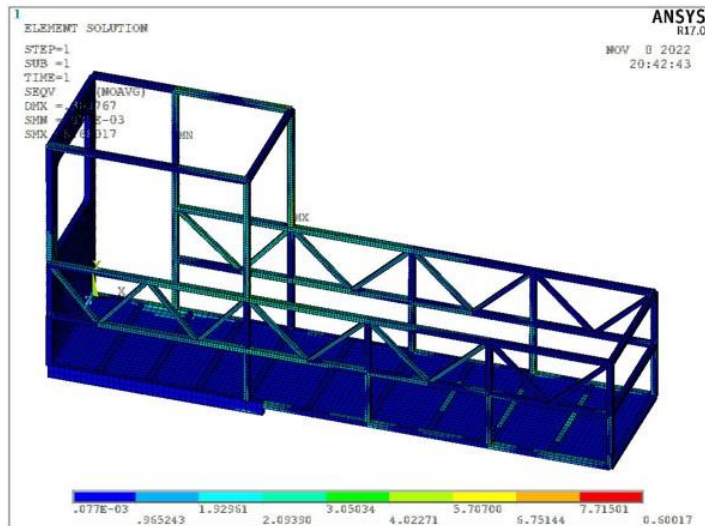
BILLY PUGH Co., INC.

Cantilever Work Basket



Key Design Features

- Designed to be AMSE B30.23 compliant with a PE Stamp and detailed structural calculation package backing up the fabrication drawings.
- Detailed General Arrangement Drawing and Recommended Practice available to all customers
- Dedicated padeyes for fall protection tie off points that meet OSHA and ASME Standards.
- Dedicated padeyes for tagline connection
- Rubber bumpers installed on all corners
- All baskets are proof load tested to 125% of the Working Load Limit.
- All baskets are incline tested during the load testing
- All baskets are primed with a two-coat marine paint coating system
- The basket is designed to suspend at an inclination of 2 degrees upward in an empty condition and decline at 4 degrees when cantilever is fully loaded.
- Forklift Tubes are installed under the counterweight end for easy transport between crane lifts.
- Internal handrails are installed around the entire perimeter of the work area complying with OSHA standards.
- Optional 125% Field Load Test Package is available for this product



BILLY PUGH Co., INC.